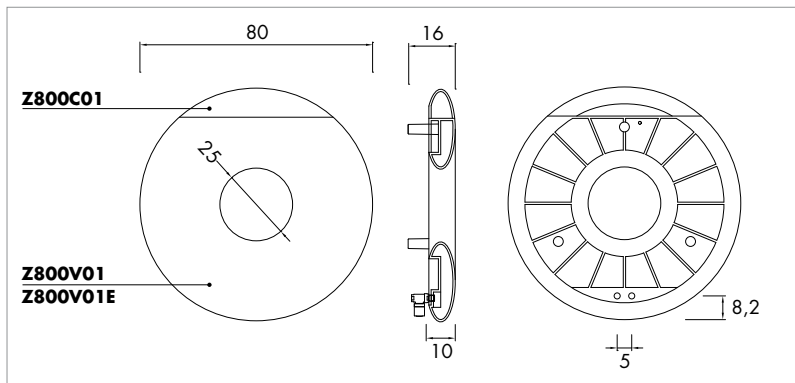
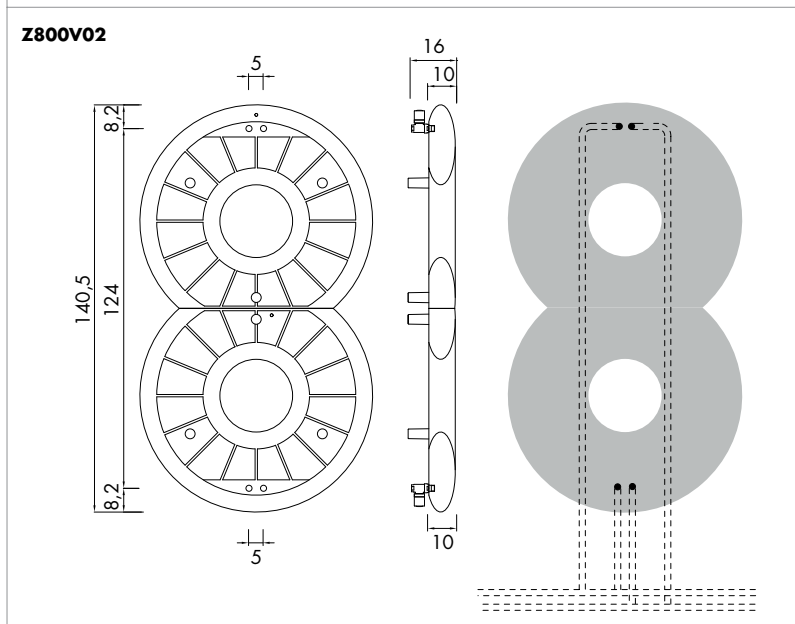
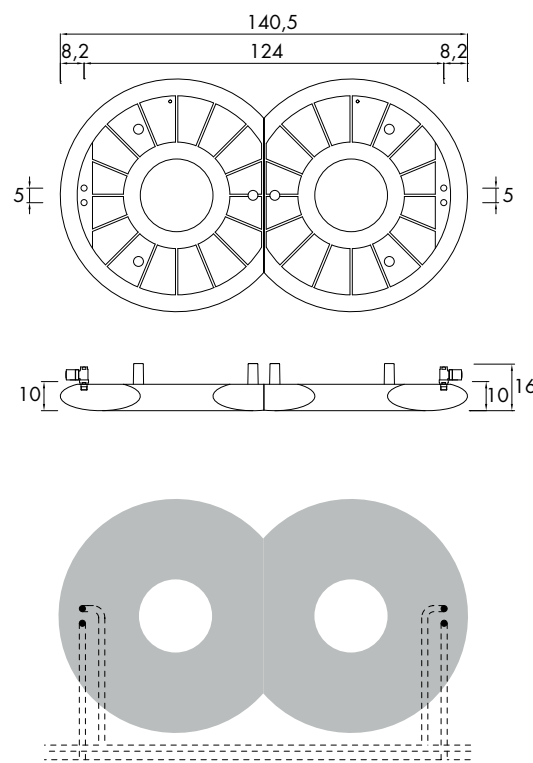


Zero-Otto DESIGN FRANCESCO LUCCHESI



Z800O02



A* cm	inches	B* cm	inches	I* cm	inches	art*	L*	BTU Δt 50°	watt Δt 50°
<b>Zero acqua calda / hot water / eau chaude / warm Wasser / agua caliente</b>									
80	31.5	80.0	31.5	5.0	2.0	Z800V01B	16.3	1 874	549
<b>Zero elettrico / electrical / électrique / elektrische / eléctrico</b>									
80	31.5	80.0	31.5			Z800V01EB	-	-	750
<b>Z800C01B</b>									
<b>Otto acqua calda / hot water / eau chaude / warm Wasser / agua caliente</b>									
140.5	55.3	80.0	31.5	5.0	2.0	Z800V02B	32.7	3 747	1 098
80	31.5	140.5	55.3	5.0	2.0	Z800O02B	32.7	3 747	1 098

A\* = altezza / height / hauteur / Höhe / alto B\* = larghezza / width / longueur / Breite / ancho art\* = articolo / model / model / Artikel / artículo  
 P\* = pagina / page / page / Seite / página I\* = interasse / pipe centres / distance entre depart et retour / Achsabstand / distancia entre las conexiones  
 L\* = contenuto acqua / content / volume / Inhalt / volumen



Ulteriori dettagli  
Further details  
Ulérieures détails  
Weitere Einzelheiten  
Otros detalles

P\* 120

Colori/ colours / couleurs / Farbe / colores

[ BIAN ] B standard  
T + 10%  
S + 20%  
[ RAL ] S + 20%  
RAL non inclusi in tabella  
special Ral colours  
couleurs Ral spéciales  
RAL Farbe nicht in der Tabelle inbegriffen  
colores RAL especiales

Kcal = Watt x 0.860  
BTU = Watt x 3.413

Watt Δt 20° = Watt Δt 50° x 0.321  
Watt Δt 30° = Watt Δt 50° x 0.531  
Watt Δt 40° = Watt Δt 50° x 0.758  
Watt Δt 60° = Watt Δt 50° x 1.254

p max = 3.5 bar